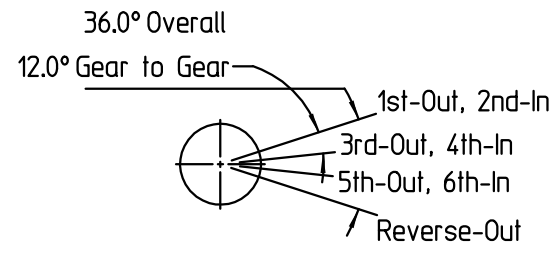


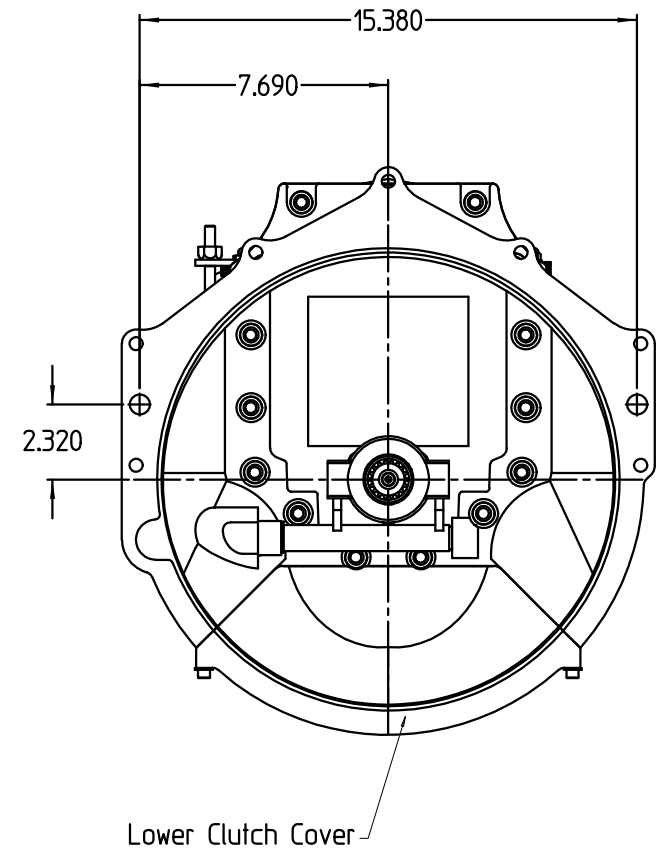
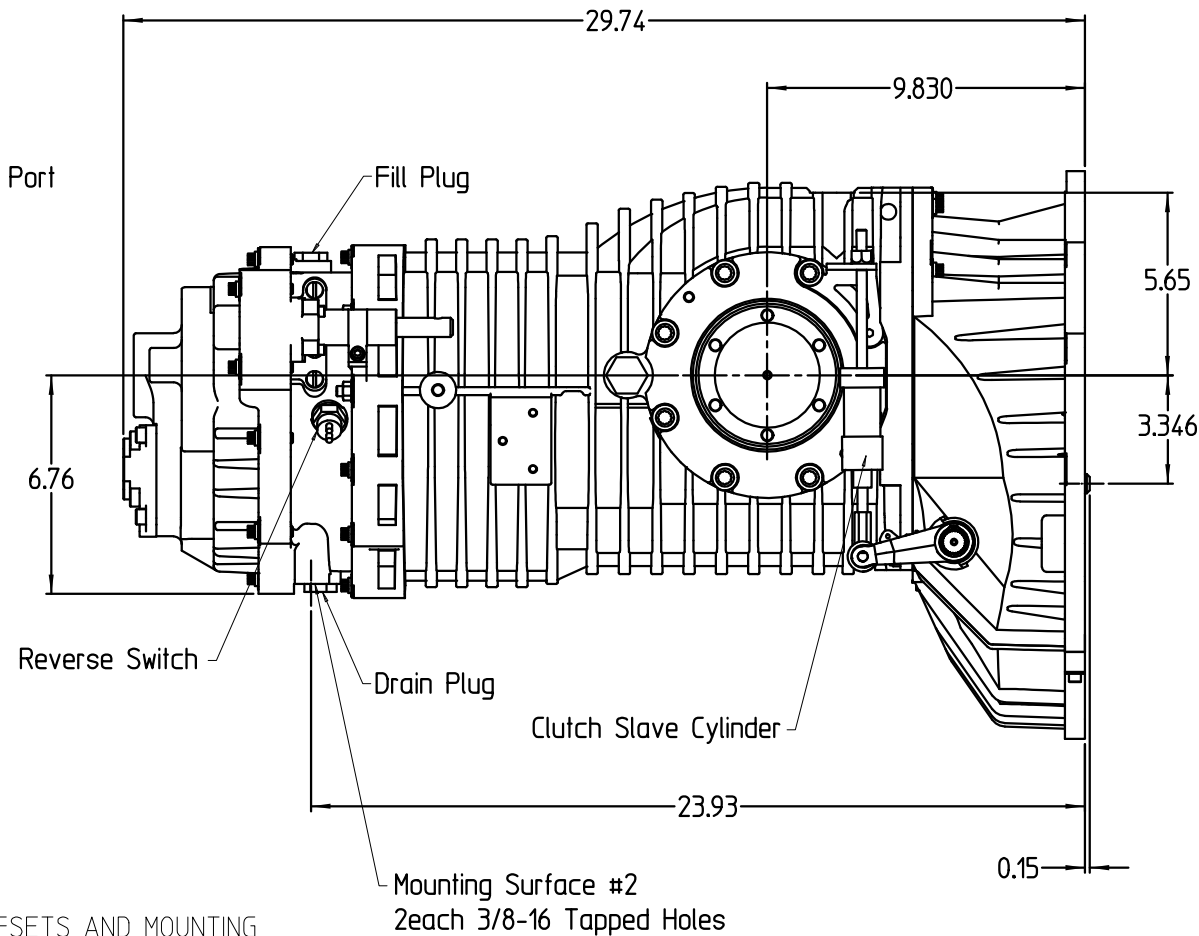
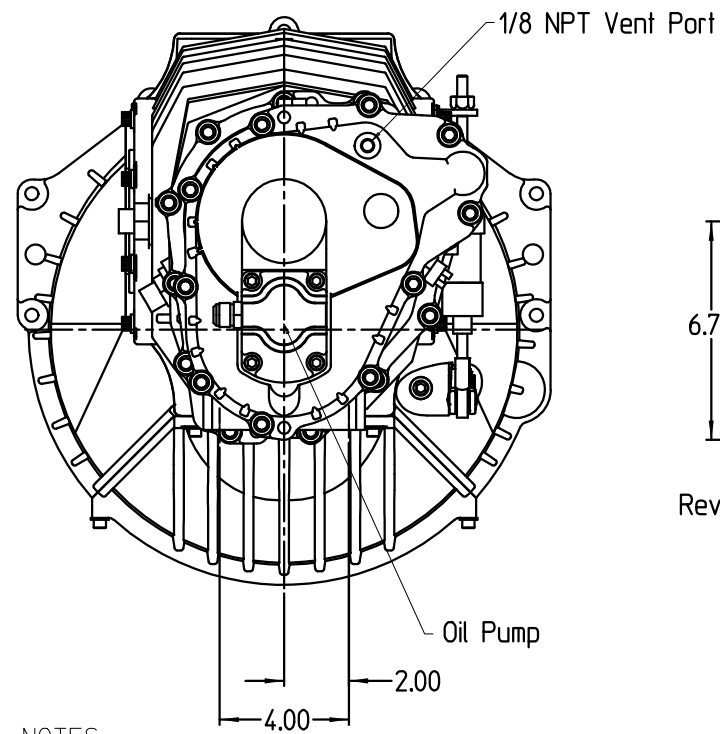
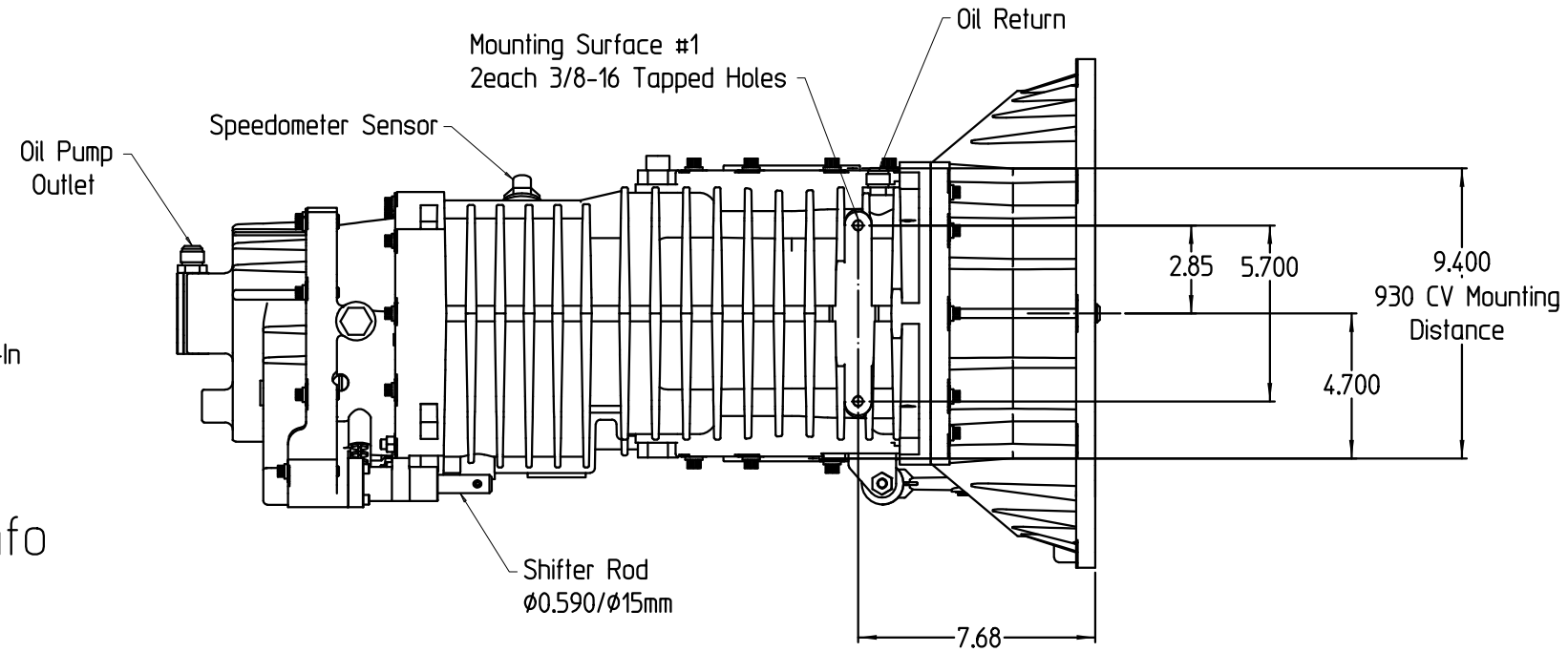
REV	REVISIONS	APPROVED	DATE
1	Added reverse light and speedometer sensor info		03-21-08

Gear engagement distance is 0.380" for the Stage 1 Gearset and .374"/9.5mm for the Stage 2 Gearset



H Pattern Shifter Info

Looking back to the shifter shaft from the engine
Shifter shaft is shown in the 3rd-4th location



NOTES:

- CHEVY LS SERIES BELLHOUSING SHOWN. ALL OFFSETS AND MOUNTING SURFACE DIMENSIONS ARE THE SAME FOR THE SMALL BLOCK & MODULAR FORD BELLHOUSINGS.
- DRY WEIGHT APPROX. 175 LBS.

INCH

ITEM	QTY.	MATERIAL DESCRIPTION	MATL. PART NO.	MATL. DWG. NO.	MATL. SPEC.
UNLESS OTHERWISE SPECIFIED -DIMENSIONS ARE IN INCHES -THIRD ANGLE PROJECTION -TOLERANCES					
DESIGNED BY	DATE	SDR Installation Information		Mendocino Transaxles	
ENGINEER	11/13/07	TITLE		PART NUMBER	
RELEASE TO PROD.	FINISH	SCALE	E-SDR-Install		
DO NOT SCALE THIS DRAWING					