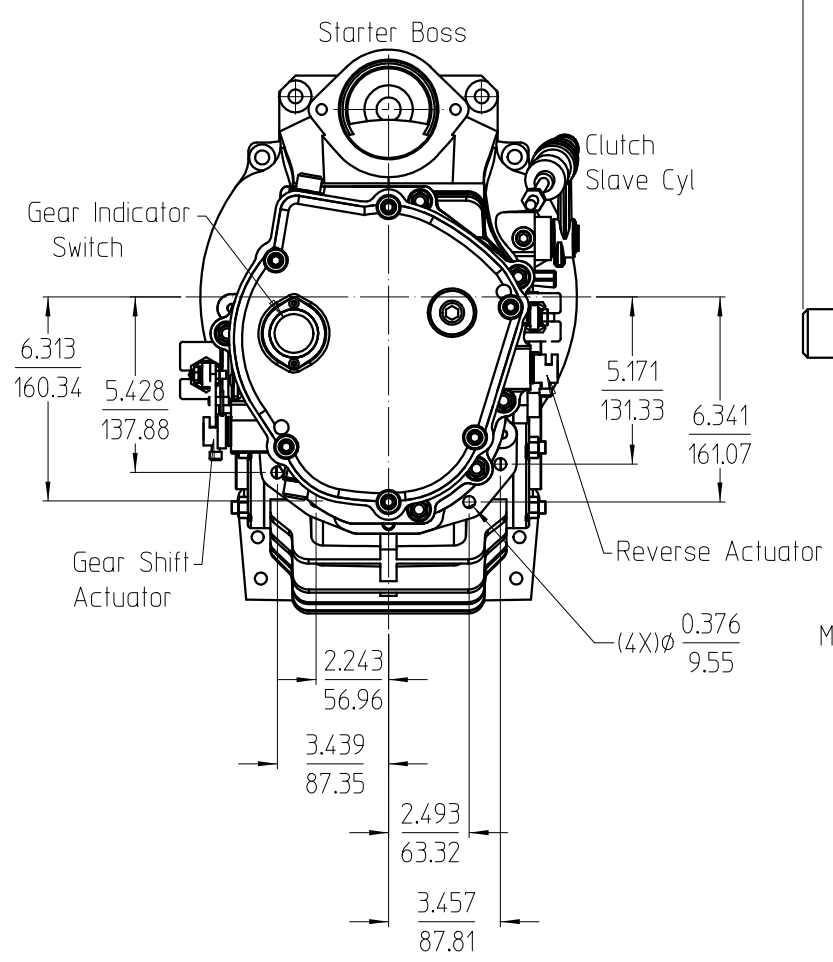
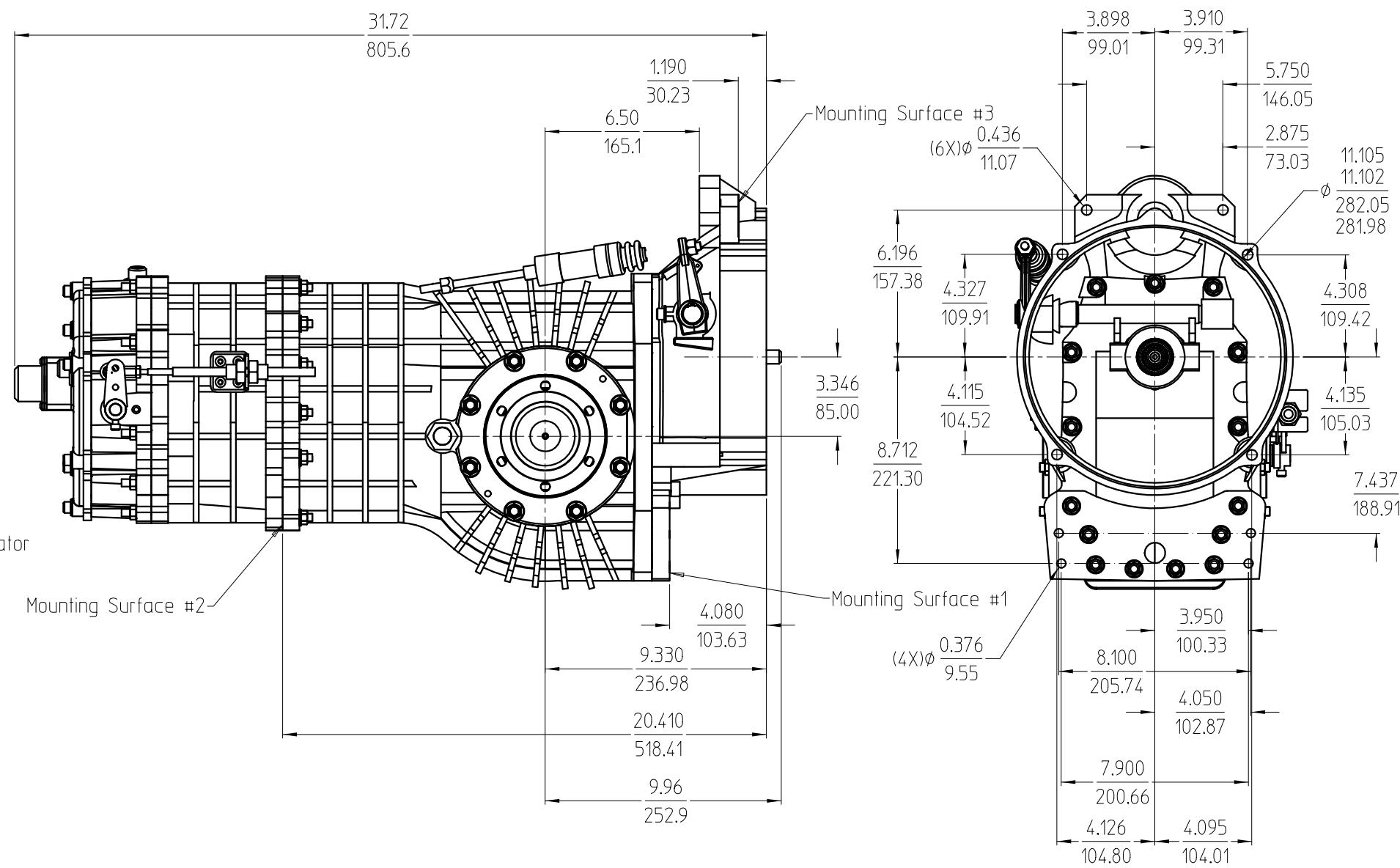
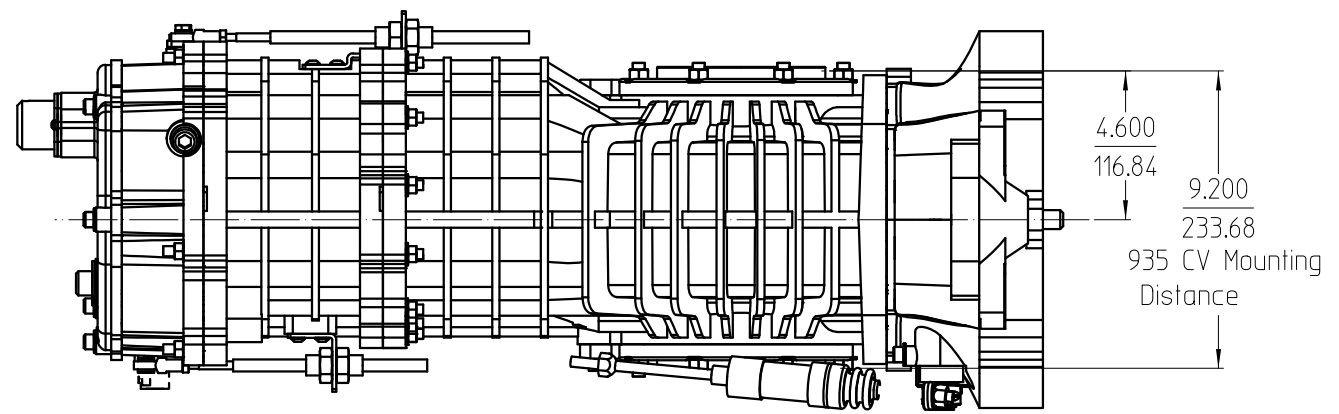


REV	REVISIONS	APPROVED	DATE
1	AS BUILT		



NOTES:
1. Bell Housing fits standard Kennedy brand engine adapters

INCH/MM

ITEM	QTY.	MATERIAL DESCRIPTION	MATL. PART NO.	MATL. DWG. NO.	MATL. SPEC.
UNLESS OTHERWISE SPECIFIED -DIMENSIONS ARE IN INCHES -THIRD ANGLE PROJECTION -TOLERANCES XXX +0.02 IN. XXXX +0.010 IN. ANGLES -1°DO NOT SCALE THIS DRAWING					
DESIGNED BY		DATE	S4 & S5 Installation Drawing		
ENGINEER	M. Alliean	06/25/04	Mendeola Transaxles		
RELEASE TO PROD.		NEXT ASSEMBLY	PART NUMBER		
SUPERSEDES DWS.		FINISH	SCALE	Half E-S4	