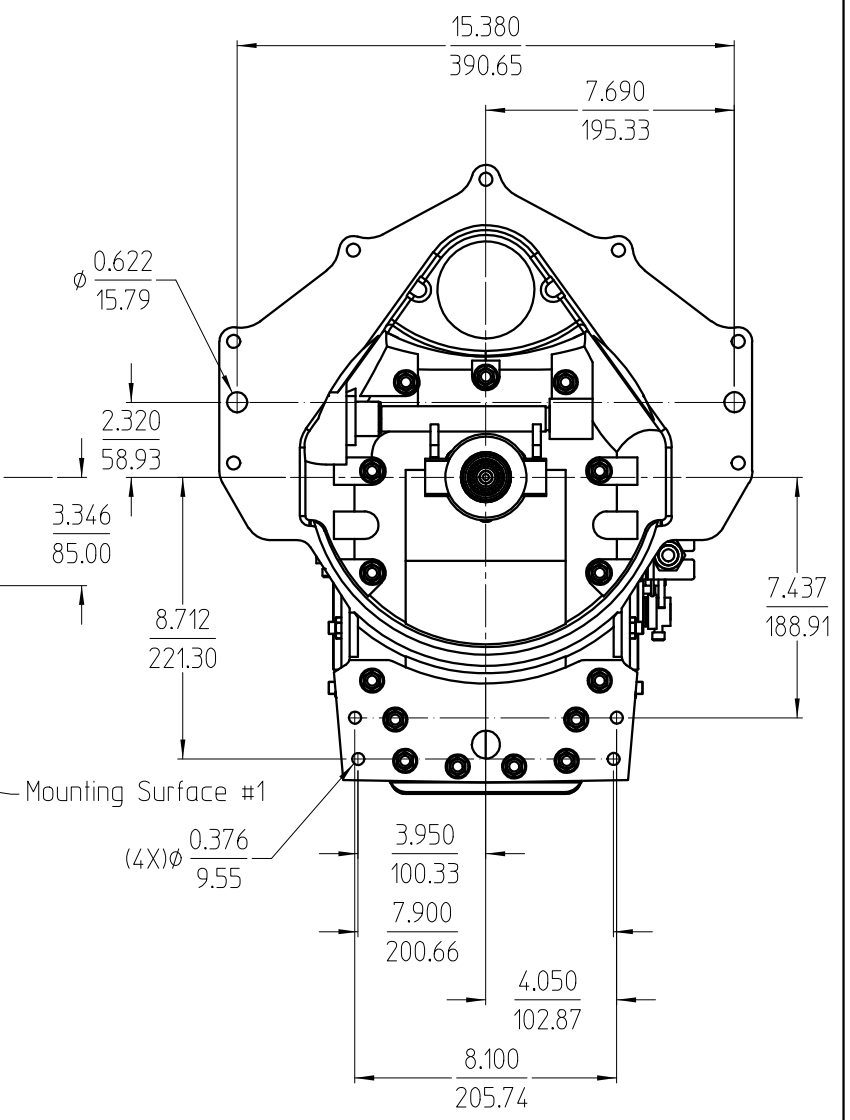
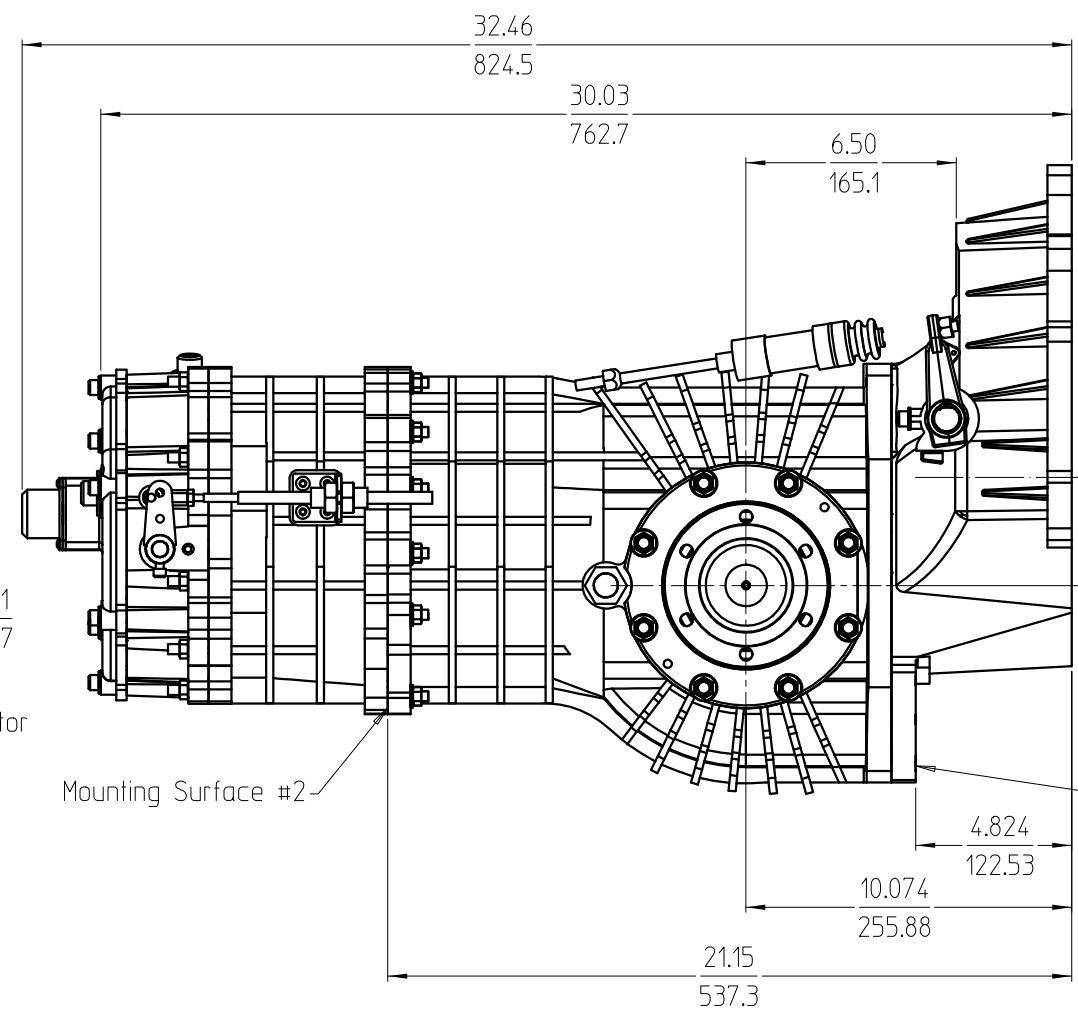
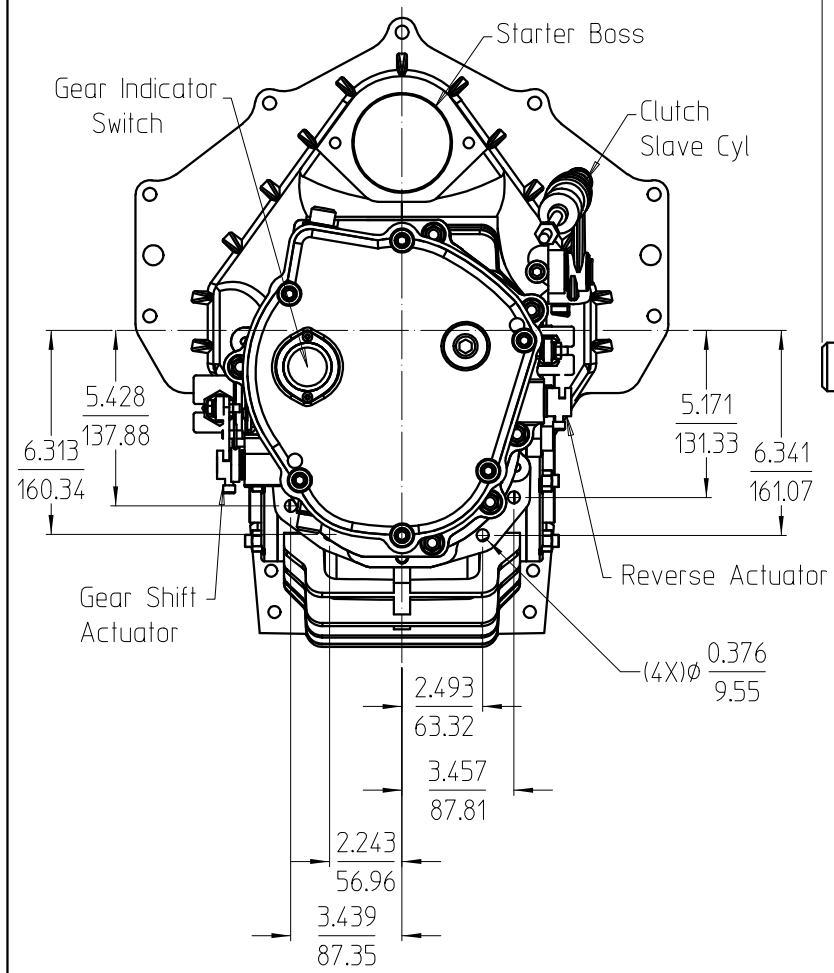
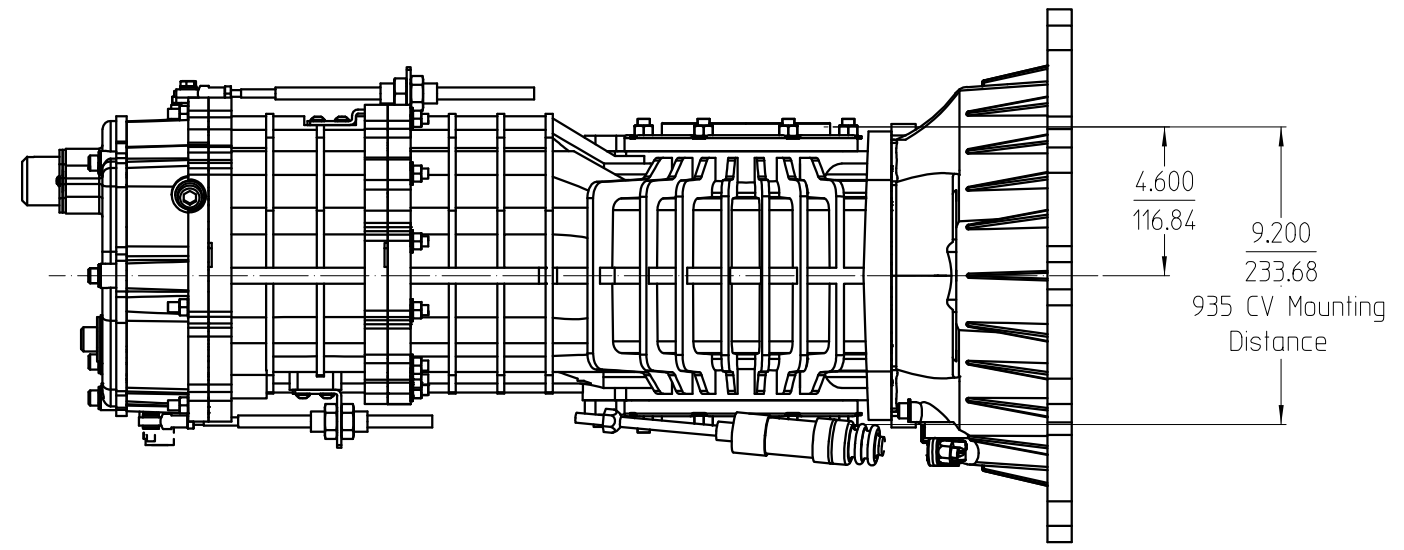


SYM	REVISIONS	APPROVED	DATE
1	AS BUILT		



NOTES:
1. Bell Housing fits standard Chevy small block and LS1 bolt patterns

INCH/MM

ITEM	QTY.	MATERIAL-DESCRIPTION	MATL-PART NO.	MATL-OWG. NO.	MATL-SPEC.
UNLESS OTHERWISE SPECIFIED -DIMENSIONS ARE IN INCHES -THIRD ANGLE PROJECTION -TOLERANCES XXX +0.02 PL. XXX -0.010 PL. ANGLES 1/4"					
DRWN BY		DATE			
ENGINEER	M. Allison	06/25/04			
RELEASE TO PROD.		NEXT ASSEMBLY			
DO NOT SCALE THIS DRAWING	SUPERSEDES DWS.	FINISH	SCALE	Half	
S4 & S5 Chevy BH Installation Drawing			Mendeola Transaxles		
			PART NUMBER E-S4-Chevy		