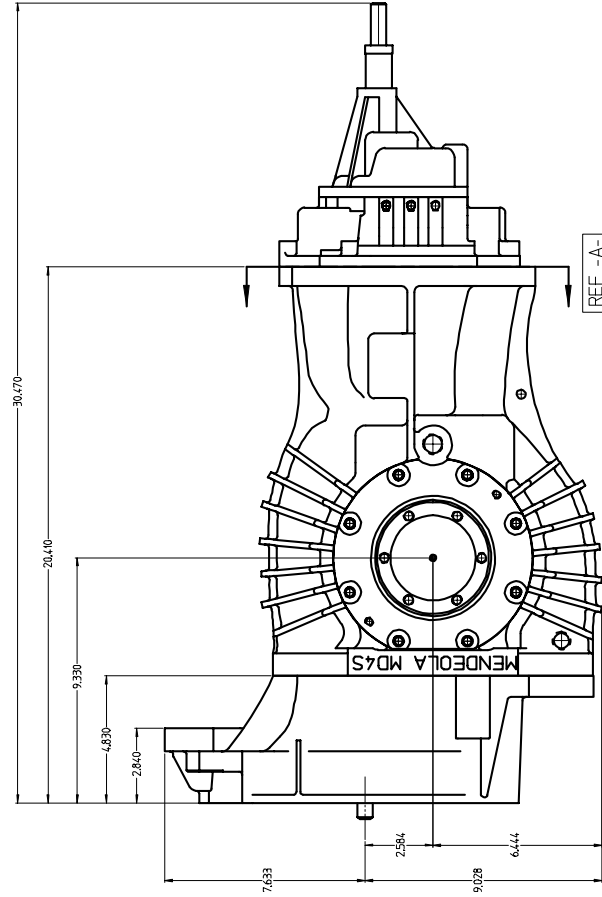


MD4E EXTERNAL LAYOUT



C.V. FLANGES ARE LOCATED SYMMETRICAL TO INPUT SHAFT.
930 PORSCHE: 9.000" FLANGE TO FLANGE

